

8

7

6

5

4

3

2

1

F

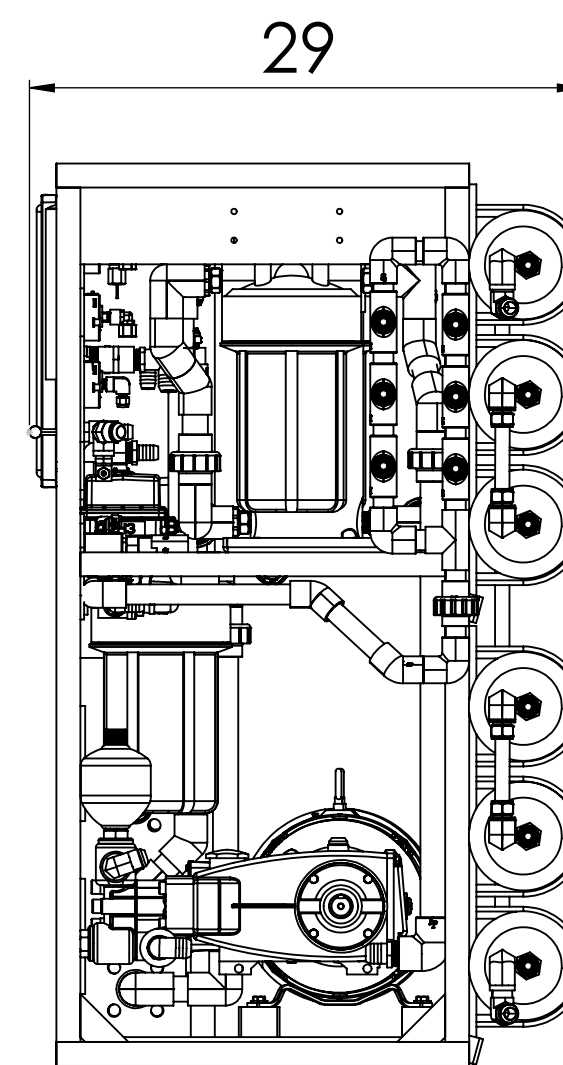
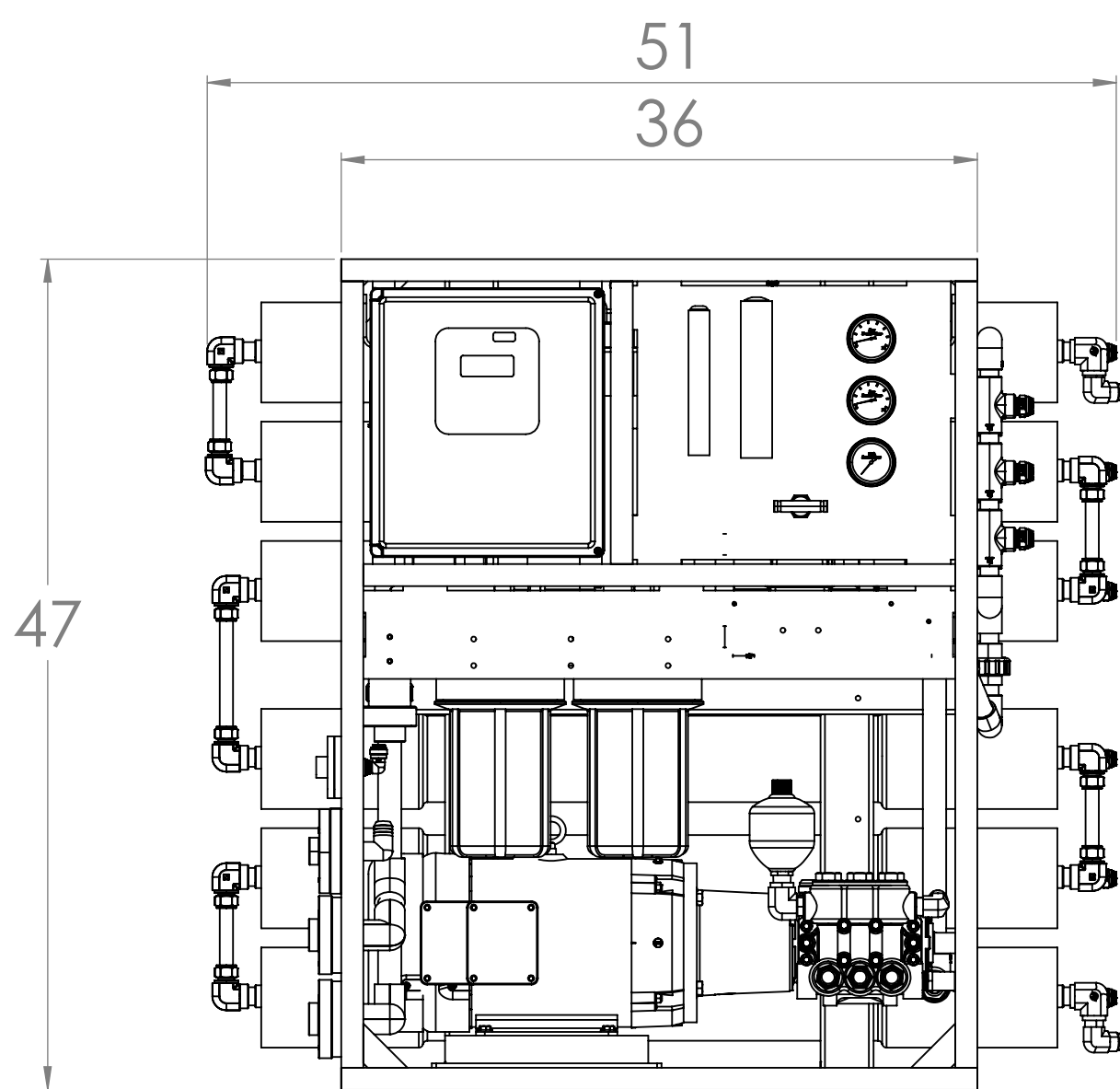
E

D

C

B

A



NOTICE OF CONFIDENTIALITY
 THE INFORMATION CONTAINED IN THIS DRAWING IS THE SOLE PROPERTY OF BLUE WATER DESALINATION LLC. ANY REPRODUCTION, CIRCULATION, AND DISTRIBUTION IN PART OR AS A WHOLE WITHOUT THE WRITTEN CONSENT OF BLUE WATER DESALINATION LLC IS STRICTLY PROHIBITED.

TOLERANCES
 UNLESS OTHERWISE SPECIFIED:
 DIMENSIONS ARE IN INCHES AND MILLIMETER
 FRACTIONAL: ± 1/16" ± 1.5mm
 ANGULAR: ± 1 DEG
 .X ± 0.1" ± 2.5mm
 .XX ± 0.01" ± 0.50mm
 .XXX ± 0.005" ± 0.127mm

 **Blue Water**
 DESALINATION
 2695 Temple Ave
 Signal Hill, CA, 90755
 TEL: 1 (562) 426-2412
 FAX: 1 (562) 426-2449
 www.BlueWaterDesalination.com

MATERIAL:
 FINISH:
 DO NOT SCALE DRAWING

APPROVALS	DATE
DRAWN	
CHECK	
MFG	
QUAL	
CHIEF	

SIZE C	DRAWING NUMBER	REV NR
SCALE:	WEIGHT:	SHEET 2 OF 2