

8

7

6

5

4

3

2

1

F

E

D

C

B

A

F

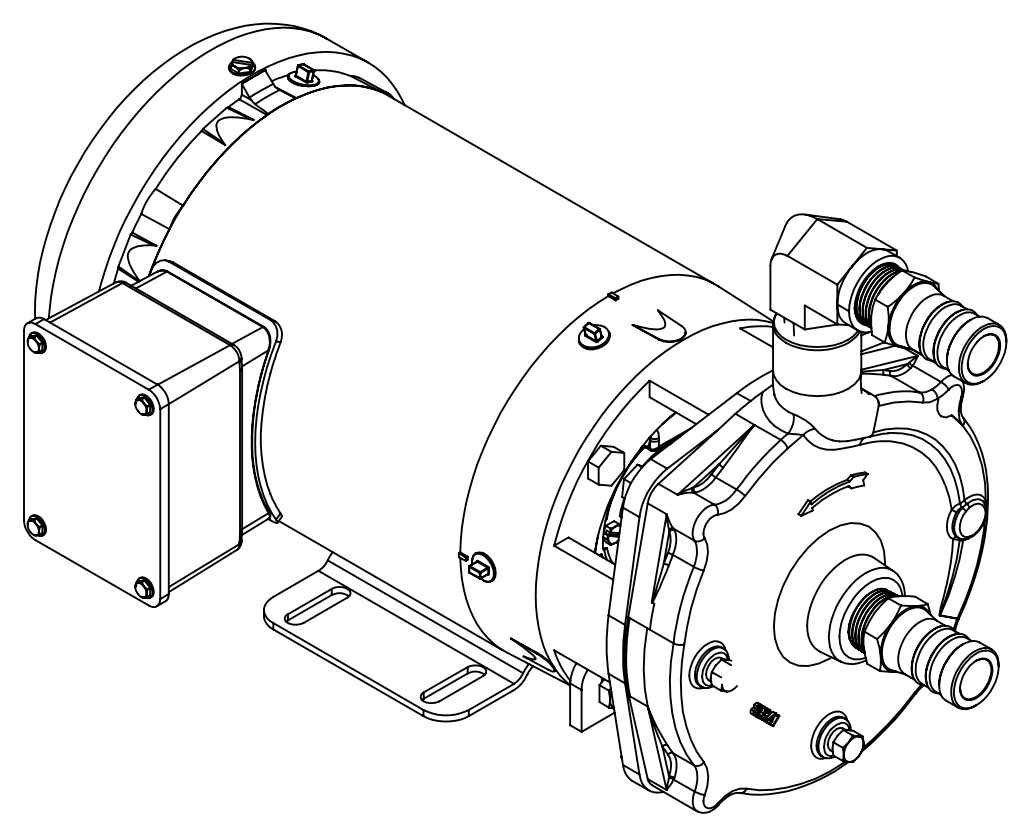
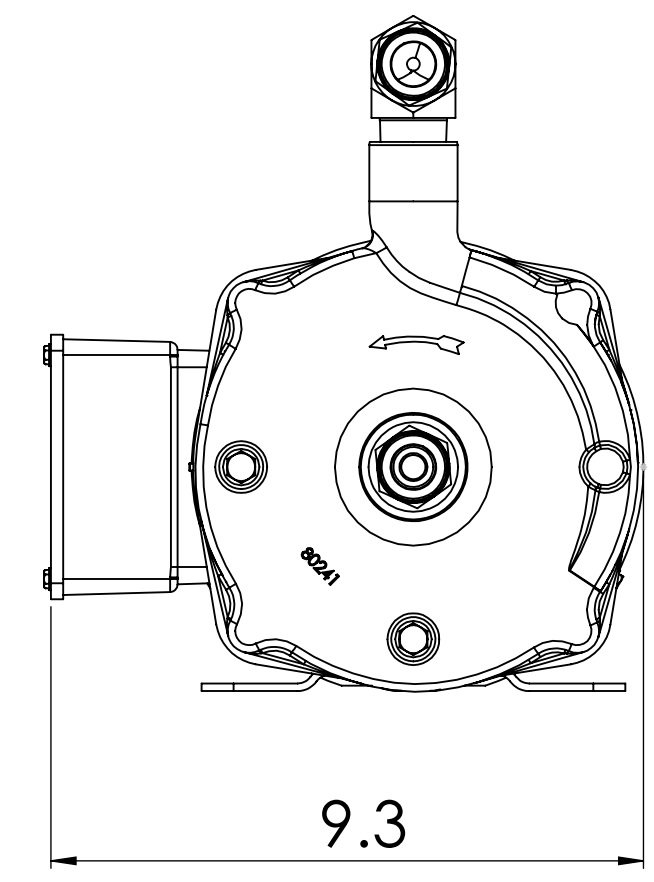
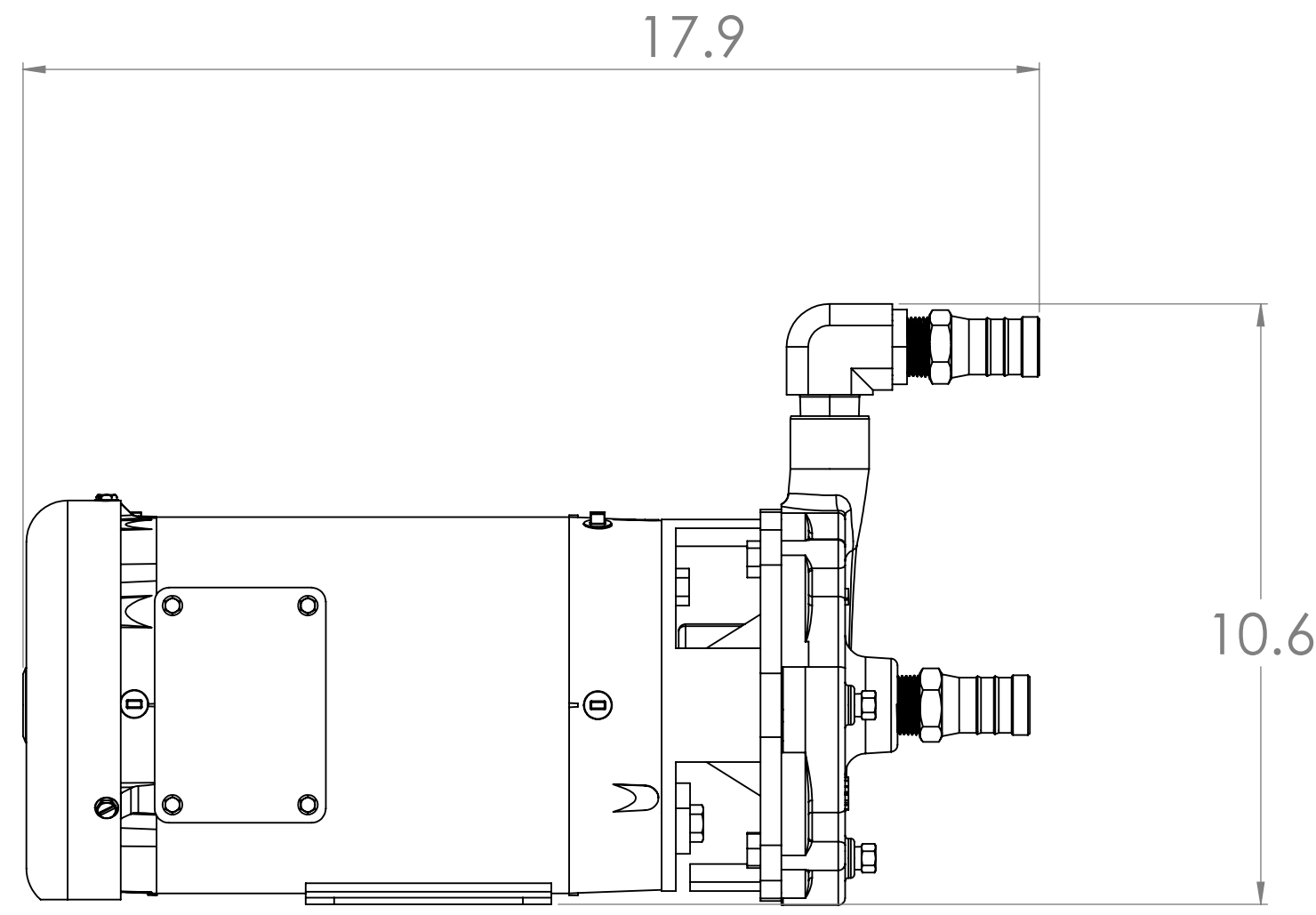
E

D

C

B

A



NOTICE OF CONFIDENTIALITY
 THE INFORMATION CONTAINED IN THIS DRAWING IS THE SOLE PROPERTY OF BLUE WATER DESALINATION LLC. ANY REPRODUCTION, CIRCULATION, AND DISTRIBUTION IN PART OR AS A WHOLE WITHOUT THE WRITTEN CONSENT OF BLUE WATER DESALINATION LLC IS STRICTLY PROHIBITED.

TOLERANCES
 UNLESS OTHERWISE SPECIFIED:
 DIMENSIONS ARE IN INCHES AND MILLIMETER
 FRACTIONAL: ± 1/16" ± 1.5mm
 ANGULAR: ± 1 DEG
 .X ± 0.1" ± 2.5mm
 .XX ± 0.01" ± 0.50mm
 .XXX ± 0.005" ± 0.127mm

Blue Water DESALINATION
 2695 Temple Ave
 Signal Hill, CA, 90755
 TEL: 1 (562) 426-2412
 FAX: 1 (562) 426-2449
 www.BlueWaterDesalination.com

APPROVALS	DATE	SIZE	DRAWING NUMBER	REV
DRAWN		C		NR
CHECK		SCALE:	WEIGHT:	SHEET 2 OF 2
MFG				
QUAL				
CHIEF				

8

7

6

5

4

3

2

1