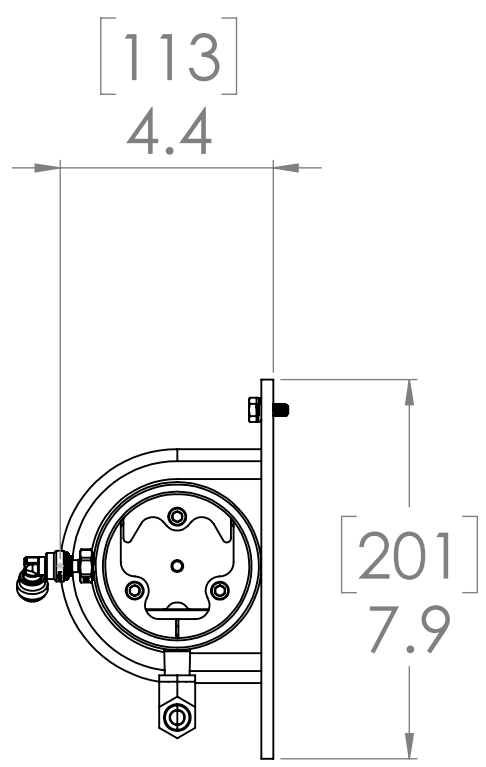
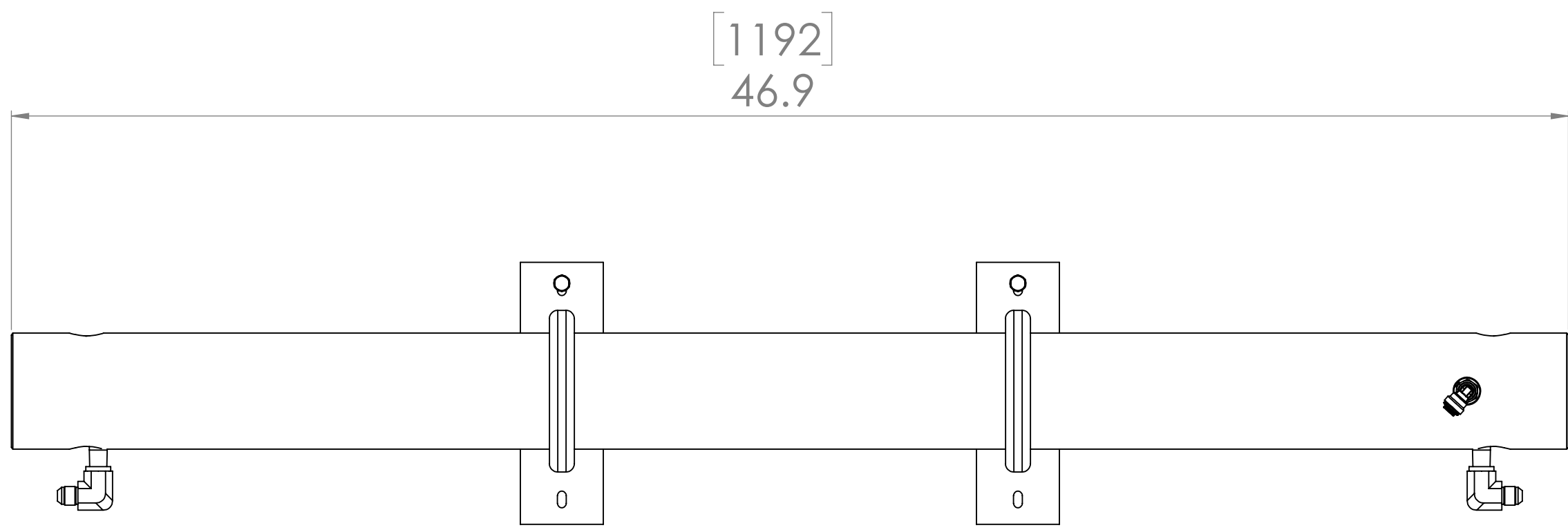
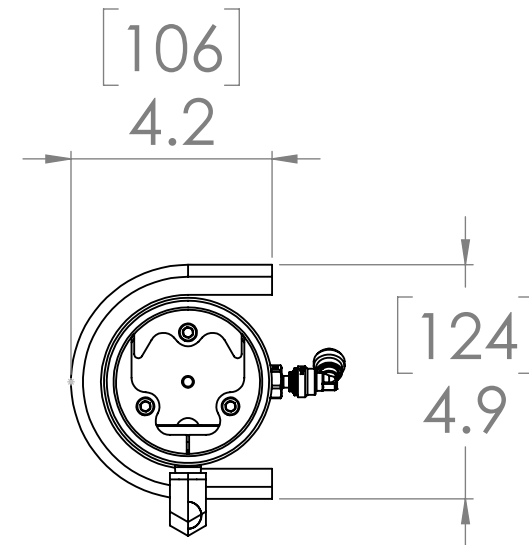
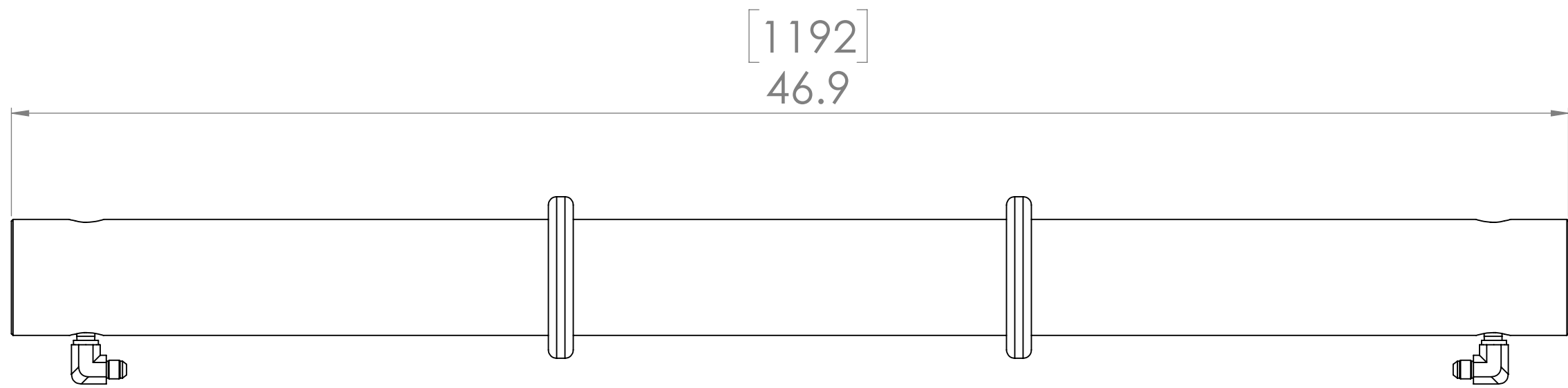



8 7 6 5 4 3 2 1

F
E
D
C
B
A

F
E
D
C
B
A



NOTICE OF CONFIDENTIALITY THE INFORMATION CONTAINED IN THIS DRAWING IS THE SOLE PROPERTY OF BLUE WATER DESALINATION LLC. ANY REPRODUCTION, CIRCULATION, AND DISTRIBUTION IN PART OR AS A WHOLE WITHOUT THE WRITTEN CONSENT OF BLUE WATER DESALINATION LLC IS STRICTLY PROHIBITED.		TOLERANCES UNLESS OTHERWISE SPECIFIED: DIMENSIONS ARE IN INCHES AND MILLIMETER FRACTIONAL: ± 1/16" ± 1.5mm ANGULAR: ± 1 DEG X ± 0.1" ± 2.5mm .XX ± 0.01" ± 0.50mm .XXX ± 0.005" ± 0.127mm		 Blue Water DESALINATION 2695 Temple Ave Signal Hill, CA, 90755 TEL: 1 (562) 426-2412 FAX: 1 (562) 426-2449 www.BlueWaterDesalination.com	
MATERIAL:		APPROVALS		DATE	
FINISH:		DRAWN		SIZE	
DO NOT SCALE DRAWING		CHECK		C	
		MFG		DRAWING NUMBER	
		QUAL		FL1575	
		CHIEF		REV	
				NR	
		SCALE:		WEIGHT:	
				SHEET 2 OF 2	

8 7 6 5 4 3 2 1