

EXPLORER LX

FROM 2,100 TO 3,400 GPD OF PURE WATER



PURE WATER FOR LARGE VESSELS

The Explorer LX series offer semi-automatic operation in a wide range of capacities to fit the needs of most large yachts and commercial vessels. Its high output and superior quality components offer a peace of mind at sea for extended periods of time.

- Digital LCD controller
- Semi-automatic operation
- Compact design
- Designed for easy service and maintenance
- Fresh water flush system
- High rejection membranes
- Dual voltage 50/60Hz motors
- Optional remote control
- Expandable to 3,400 GPD



PURE WATER. ANYTIME, ANYWHERE

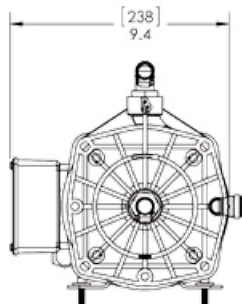
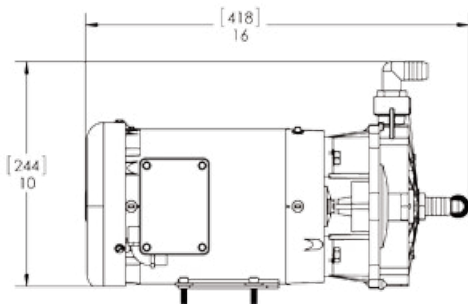
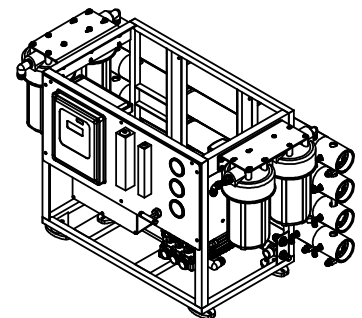
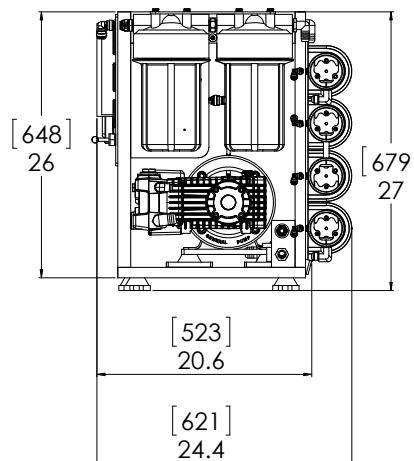
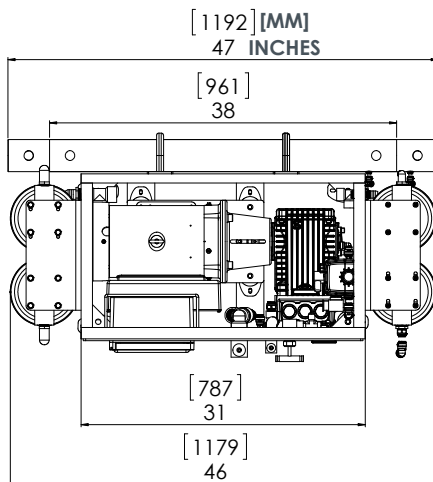
EXPLORER LX

FROM 2,100 TO 3,400 GPD OF PURE WATER

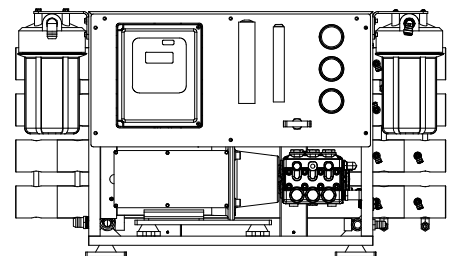
DRAWINGS & SPECIFICATIONS

Model	No. of Membranes	Hourly Production	Daily Production	Feed Flow	Weight	List Price
EXX 2100	3	85 GPH 331 LPH	2,100 GPD 7,950 LPD	7.6 GPM	385 lbs 174kg	\$25,450
EXX 2600	4	108 GPH 410 LPH	2,600 GPD 9,840 LPD	7.6 GPM	395 lbs 179kg	\$27,700
EXX 2700	3	113 GPH 426 LPH	2,700 GPD 10,220 LPD	7.6 GPM	390 lbs 176kg	\$28,100
EXX 3200	4	133 GPH 505 LPH	3,200 GPD 12,110 LPD	7.6 GPM	400 lbs 181kg	\$30,000
EXX 3400	4	142 GPH 536 LPH	3,400 GPD 12,870 LPD	7.6 GPM	400 lbs 181kg	\$30,650

Model Phase	Booster Pump	HP Pump	Hz	Voltage	Run Amps	Start Amps
Single	1 HP 0.75 KW	5 HP 3.75 KW	50 60	220	34	98
Three	1 HP 0.75 KW	5 HP 3.75 KW	50 60	208 230	22 18	48 40
Three	1 HP 0.75 KW	5 HP 3.75 KW	50 60	380 460	11 9	24 20



BOOSTER PUMP



PURE WATER. ANYTIME, ANYWHERE