

CLEAR MATE

2,000 GPD OF ULTRA PURE WATER

ULTRA PURE SPOT-FREE RINSING



The Clear Mate utilizes the same technology as the Blue Water Desalination watermaker systems to provide ultra pure water. By softening source water, The Clear Mate removes up to 99% of the remaining dissolved solids to allow for spot-free rinsing of your yacht.

- Use with dock water or existing watermaker (LFM2D only)
- Compact design
- Simple operation
- Quiet operation
- Low power consumption
- Modular installation
- 12 gauge 316 stainless steel tank (LFM2D only)
- Stainless steel vane pump
- Digital LCD controller displays
 - Water quality
 - Faults
 - Hour meter



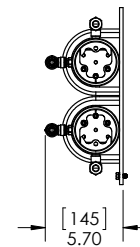
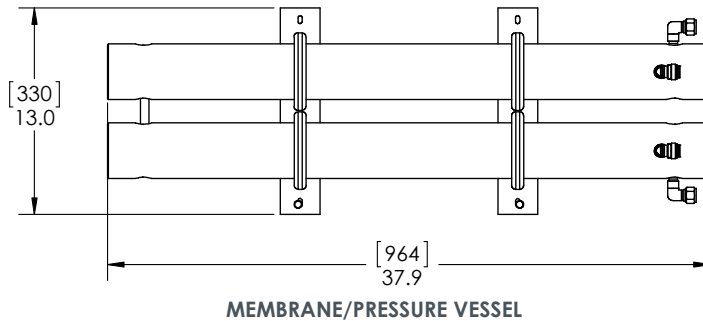
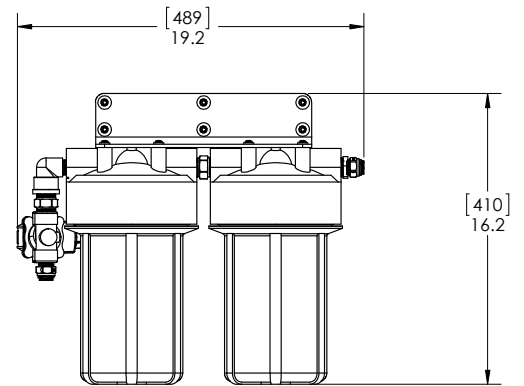
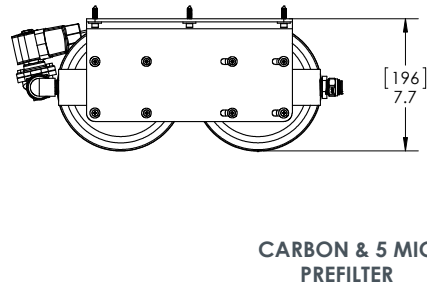
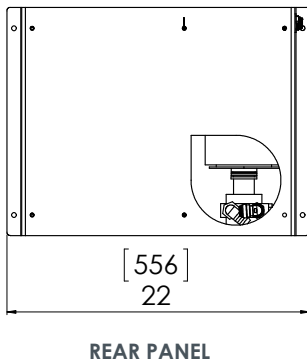
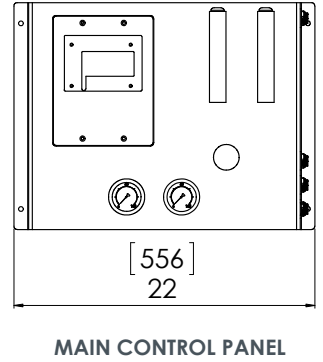
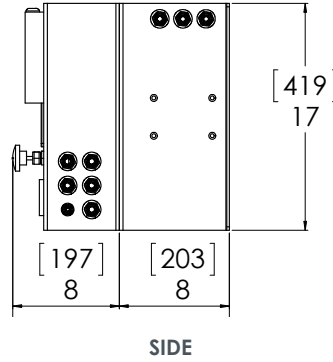
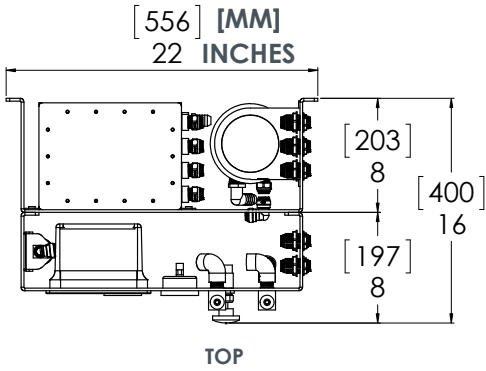
PURE WATER. ANYTIME, ANYWHERE

CLEAR MATE

2,000 GPD OF ULTRA PURE WATER

DRAWINGS & SPECIFICATIONS

Model	Feed Source	SS Tank	Hourly Production	Daily Production	Run Amps 110V	Run Amps 220V	Weight	List Price
LFM2S	Dock water only	No	83 GPH 315 LPH	2,000 GPD 7,570 LPD	10.4	5.2	90 lbs 41kg	\$8,295.00
LFM2D	Dock water or existing watermaker	Yes	83 GPH 315 LPH	2,000 GPD 7,570 LPD			115 lbs 52kg	\$9,295.00



PURE WATER. ANYTIME, ANYWHERE