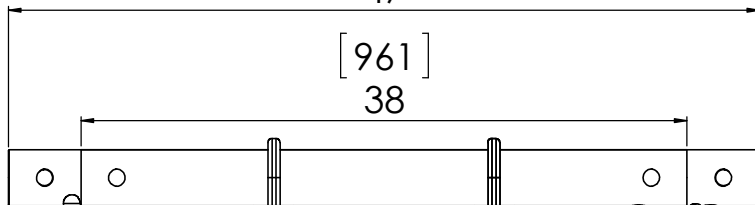


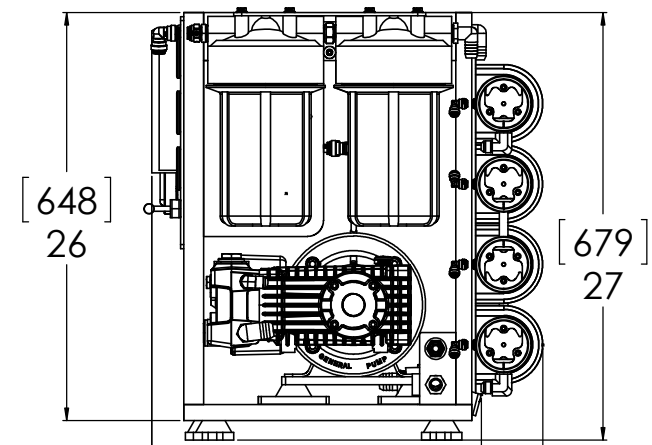
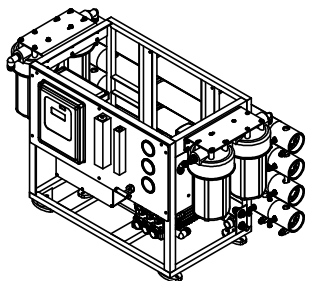
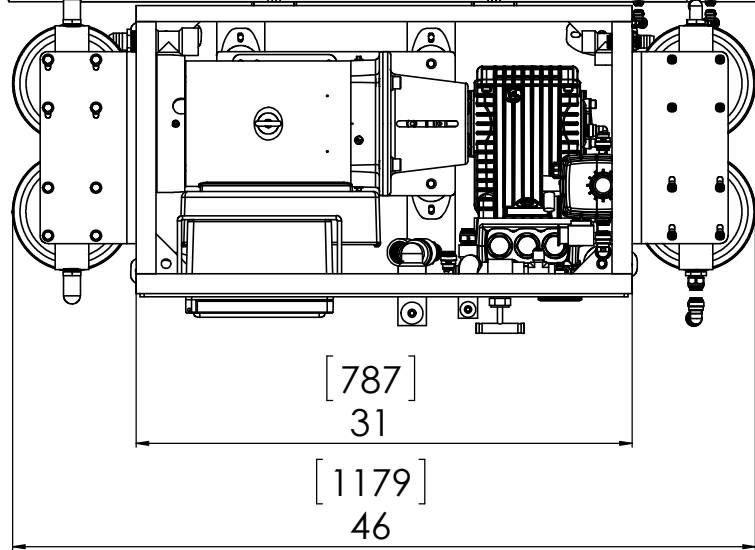
[1192]
47

[961]
38



[787]
31

[1179]
46

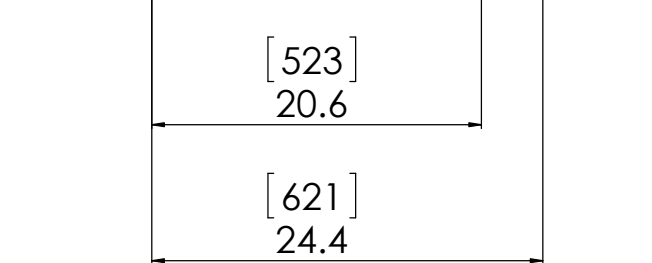


[648]
26

[679]
27

[523]
20.6

[621]
24.4



NOTICE OF CONFIDENTIALITY
THE INFORMATION CONTAINED IN THIS DRAWING IS THE SOLE PROPERTY OF BLUE WATER DESALINATION LLC. ANY REPRODUCTION, CIRCULATION, AND DISTRIBUTION IN PART OR AS A WHOLE WITHOUT THE WRITTEN CONSENT OF BLUE WATER DESALINATION LLC IS STRICTLY PROHIBITED.

TOLERANCES
UNLESS OTHERWISE SPECIFIED:
DIMENSIONS ARE IN INCHES AND
MILLIMETER:
FRACTIONAL: ± 1/16" ± 1.5mm
DECIMAL: ± .005" ± .127mm
ANGLE: ± .001" ± .025mm
XXX: ± .005" ± .127mm



APPROVALS		DATE
DRAWN	C.UDAMMAT	12/8/2014
CHECK	C. OKADA	8/20/2014
MFG	SHD	8/20/2014
QUAL	SHD	8/20/2014
CHEF	CH.ENG	8/20/2014

MATERIAL: ALUMINUM	SIZE: C	DRAWING NUMBER: EXPLORER LX	REV: NR
FINISH: -	SCALE: 1:1	WEIGHT: .15 LBS	SHEET 1 OF 1

DO NOT SCALE DRAWING