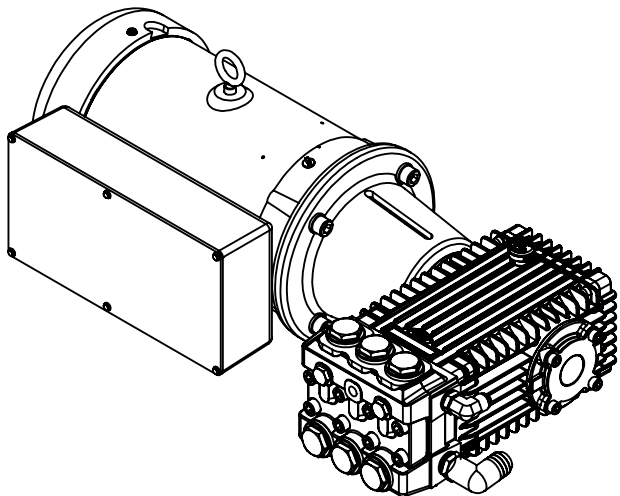
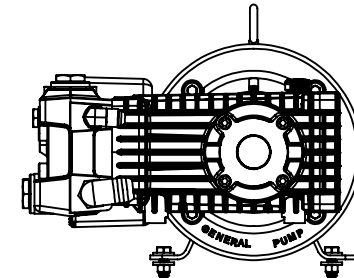
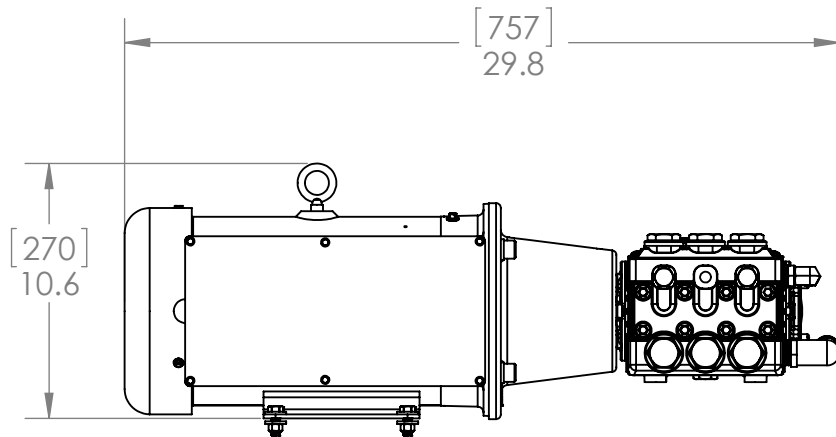
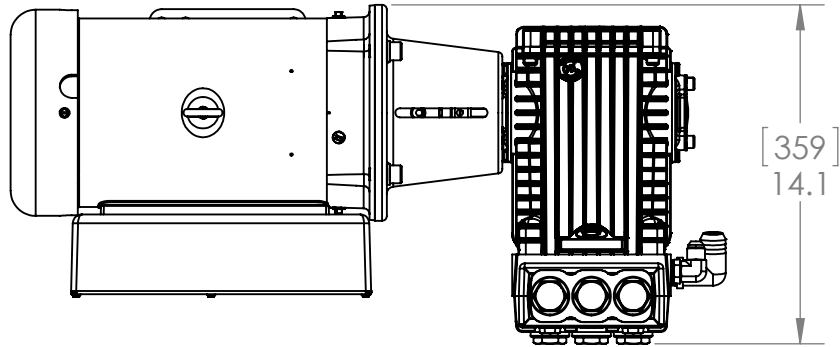


REVISIONS				
ZONE	REV.	DESCRIPTION	DATE	APPROVED
	-	INITIAL RELEASE	12/12/2014	RC/CO



NOTICE OF CONFIDENTIALITY

THE INFORMATION CONTAINED IN THIS DRAWING IS THE SOLE PROPERTY OF BLUE WATER DESALINATION LLC. ANY REPRODUCTION, CIRCULATION, AND DISTRIBUTION IN PART OR AS A WHOLE WITHOUT THE WRITTEN CONSENT OF BLUE WATER DESALINATION LLC IS STRICTLY PROHIBITED.

MATERIAL: VARIOUS

FINISH: VARIOUS

DO NOT SCALE DRAWING

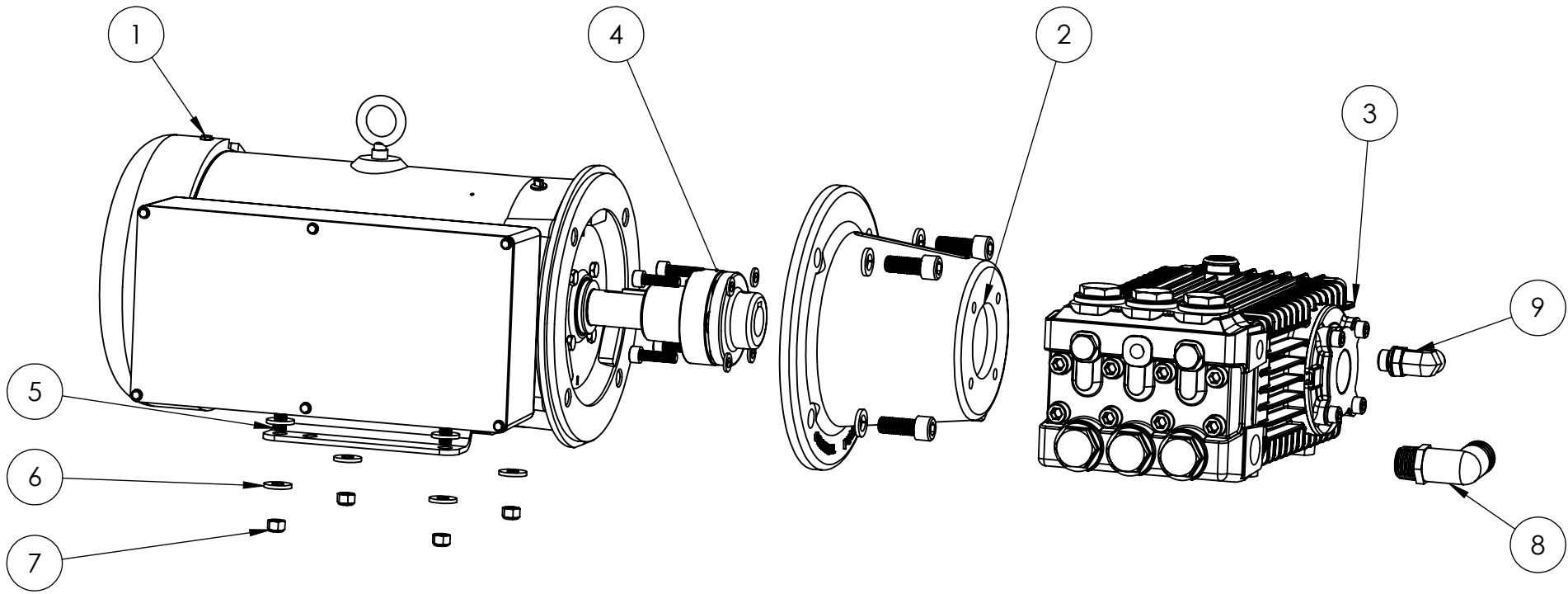
TOLERANCES
UNLESS OTHERWISE SPECIFIED:
DIMENSIONS ARE IN INCHES AND MILLIMETER
FRACTIONAL: ± 1/16" ± 1.5mm
ANGULAR: ± 1 DEG
X ± 0.1" ± 2.5mm
XX ± 0.01" ± 0.50mm
XXX ± 0.05" ± 0.127mm

APPROVALS	DATE
DRAWN R. CUDIAMAT	12/12/2014
CHECK C. OKADA	12/5/2014
MFG ENG	12/5/2014
QUAL Q. ENG	12/5/2014
CHIEF CH. ENG	12/5/2014



TITLE: M-MTR, ASSY, HP, 1PH, 7.6GPM

SIZE	DRAWING NUMBER	REV
D	PM3327	-
SCALE: 1:1	WEIGHT: -	SHEET 1 OF 2



ITEM NO.	PART NUMBER	DESCRIPTION	QTY.
1	A10732429 - MOTOR, 5HP, 50-60, 220V, 1PH, HP	MOTOR, 5HP, 50-60, 220V, 1PH, HP	1
2	ZF213215	BELL HOUSING, LGDLX	1
3	A110333 - PUMP, HP, 7.6GPM, SS, LH	PUMP, HP, 7.6GPM, SS, LH	1
4	ZG184TC	COUPLER, LGDLX	1
5	93190A624	BOLT, HEX, .375-16,1 IN, SS	4
6	93852A103	WASHER, FLAT, .3125, OS, SS	8
7	90715A135	NUT, HEX, LOCKING, .3125-18,SS	4
8	B100746NYL - ELB90, 1IN BARB X 0.745IN MPT, NYL	ELB90, 1IN BARB X 0.745IN MPT, NYL	1
9	B1041117SS - ELB90, -8 X 0.375 BSPP, SS	ELB90, -8 X 3/8 BSPP, SS	1

HARDWARE FOR MOUNTING INCLUDED WITH BELL HOUSING

NOTICE OF CONFIDENTIALITY
 THE INFORMATION CONTAINED IN THIS DRAWING IS THE SOLE PROPERTY OF BLUE WATER DESALINATION LLC. ANY REPRODUCTION, CIRCULATION, AND DISTRIBUTION IN PART OR AS A WHOLE WITHOUT THE WRITTEN CONSENT OF BLUE WATER DESEALINATION LLC IS STRICTLY PROHIBITED.

MATERIAL: VARIOUS
 FINISH: VARIOUS
 DO NOT SCALE DRAWING

TOLERANCES
 UNLESS OTHERWISE SPECIFIED:
 DIMENSIONS ARE IN INCHES AND MILLIMETER
 FRACTIONAL: ± 1/16" ± 1.5mm
 ANGULAR: ± 1 DEG
 X .01" ± 0.25mm
 XX .001" ± 0.50mm
 XXX .005" ± 0.127mm

APPROVALS	DATE
DRAWN R. CUDIAMAT	12/12/2014
CHECK C. OKADA	12/5/2014
MFG ENG	12/5/2014
QUAL Q ENG	12/5/2014
CHIEF CH ENG	12/5/2014



1930 E. CARSON ST. SUITE 103
 CARSON, CA 90810
 TEL: 1 (855) 53 DESAL
 FAX: 1 (310) 684 - 1474
 www.BlueWaterDesalination.com

TITLE: M-MTR, ASSY, HP, 1PH, 7.6GPM		REV -
SIZE D	DRAWING NUMBER PM3327	
SCALE: 1:1	WEIGHT: -	SHEET 2 OF 2