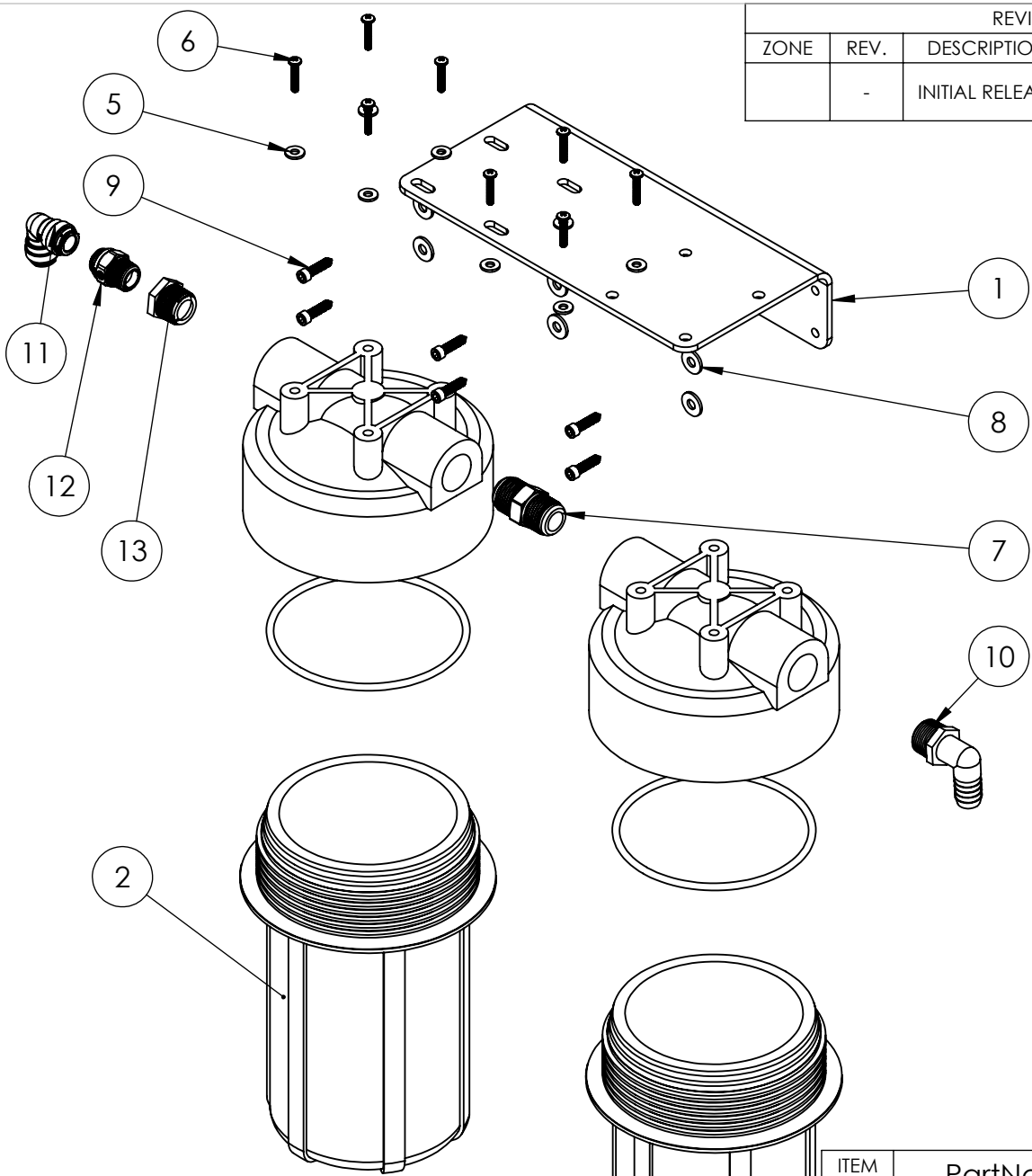


REVISIONS				
ZONE	REV.	DESCRIPTION	DATE	APPROVED
	-	INITIAL RELEASE	2/2/2015	RC/COB2



ITEM NO.	PartNo	DESCRIPTION	QTY.
1	F110417	BRACKET, DUAL, FILTER, BIG BLUE	1
2	C150112	HOUSING, FILTER, 1, 10, BIG BLUE	2
3	B1007446NYL	ELB90, 1IN BARB X 0.745IN MPT, NYL	2
4	G18110103	WASHER, FLAT, 10, NYL	8
5	G18332219	SCREW, TYPE A, #10-32 X 1.SLDPR	8
6	B130309NYL	NIPPLE, HEX, .75, MNPT CLOSE	1
7	G18100121	WASHER, FLAT, OS, 1/4, SS	6
8	G18332223	SCREW, HEX A, 1/4-20X1,SS	6

NOTICE OF CONFIDENTIALITY
 THE INFORMATION CONTAINED IN THIS DRAWING IS THE SOLE PROPERTY OF BLUE WATER DESALINATION LLC. ANY REPRODUCTION, CIRCULATION, AND DISTRIBUTION IN PART OR AS A WHOLE WITHOUT THE WRITTEN CONSENT OF BLUE WATER DESALINATION LLC IS STRICTLY PROHIBITED.

MATERIAL:
 FINISH:
 DO NOT SCALE DRAWING

TOLERANCES
 UNLESS OTHERWISE SPECIFIED:
 DIMENSIONS ARE IN INCHES AND MILLIMETER
 FRACTIONAL: ± 1/16" ± 1.5mm
 ANGULAR: ± 1 DEG
 X ± .001" ± 0.25mm
 XX ± .001" ± 0.50mm
 XXX ± .005" ± 0.127mm

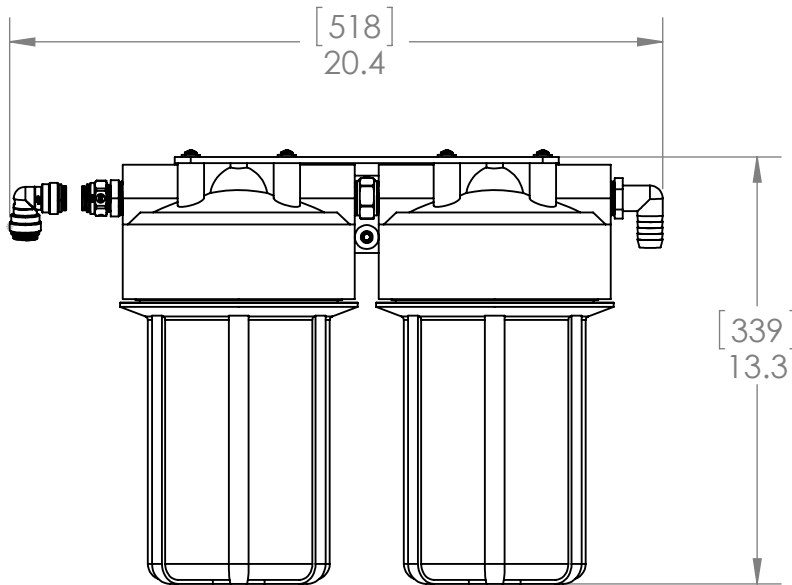
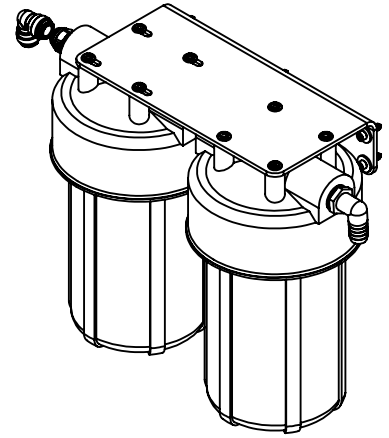
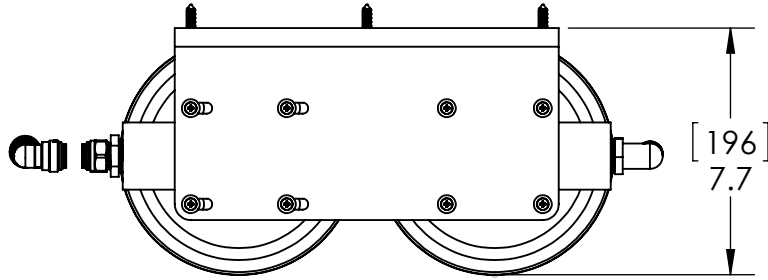
Blue Water DESALINATION
 1930 E. CARSON ST. SUITE 103
 CARSON, CA 90810
 TEL: 1 (855) 55 DESAL
 FAX: 1 (310) 684 - 1474
 www.BlueWaterDesalination.com

TITLE: FILTER, ASSY, DUAL, 5-20, BIG BLUE, 1IN

APPROVALS	DATE
DRAWN	
CHECK	
MFG	
QUAL	
CHIEF	

SIZE **D** DRAWING NUMBER **FL1113** REV **-**

SCALE: WEIGHT: SHEET 1 OF 2



NOTICE OF CONFIDENTIALITY

THE INFORMATION CONTAINED IN THIS DRAWING IS THE SOLE PROPERTY OF BLUE WATER DESALINATION LLC. ANY REPRODUCTION, CIRCULATION, AND DISTRIBUTION IN PART OR AS A WHOLE WITHOUT THE WRITTEN CONSENT OF BLUE WATER DESALINATION LLC IS STRICTLY PROHIBITED.

MATERIAL:
FINISH:
DO NOT SCALE DRAWING

TOLERANCES
UNLESS OTHERWISE SPECIFIED:
DIMENSIONS ARE IN INCHES AND MILLIMETER
FRACTIONAL: ± 1/16" ± 1.5mm
ANGULAR: ± 1 DEG
X ± 0.1" ± 2.5mm
XX ± 0.01" ± 0.50mm
XXX ± 0.005" ± 0.127mm

APPROVALS	DATE
DRAWN	
CHECK	
MFG	
QUAL	
CHIEF	



Blue Water
DESALINATION

1930 E. CARSON ST. SUITE 103
CARSON, CA, 90810
TEL: 1 (855) 55 DESAL
FAX: 1 (310) 684 - 1474
www.BlueWaterDesalination.com

TITLE: FILTER, ASSY, DUAL, 5-20, BIG BLUE, 1IN

SIZE	DRAWING NUMBER	REV
D	FL1113	NR
SCALE:	WEIGHT:	SHEET 2 OF 2