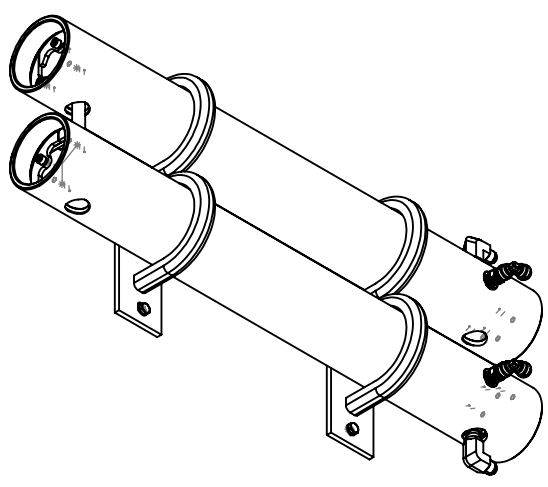
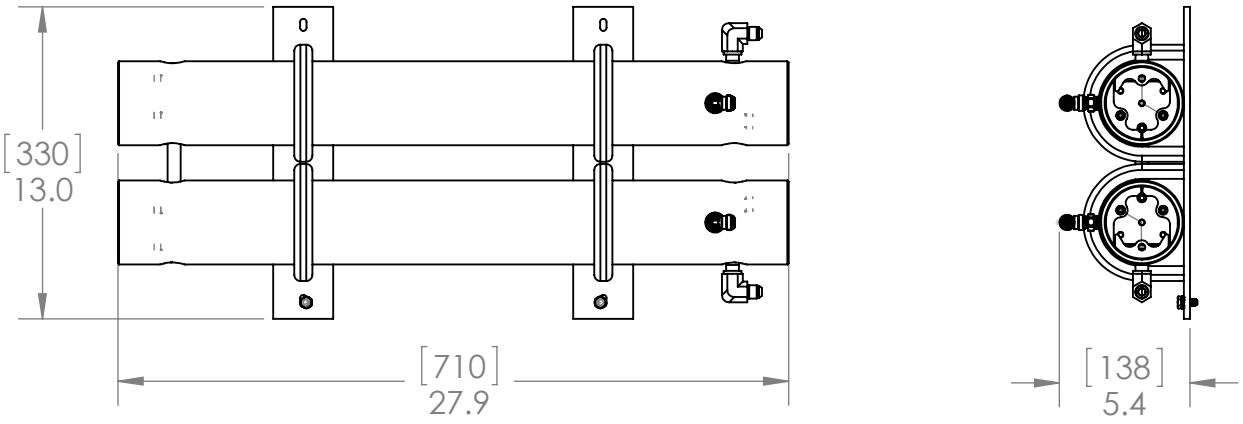


REVISIONS				
ZONE	REV.	DESCRIPTION	DATE	APPROVED
	A	UPDATED POSITION	3/28/2014	RC /CO
	B	ADDED FITTINGS AND U-RING IN TOP VESSEL	4/1/2014	RC/CO



NOTICE OF CONFIDENTIALITY
 THE INFORMATION CONTAINED IN THIS DRAWING IS THE SOLE PROPERTY OF BLUE WATER DESALINATION LLC. ANY REPRODUCTION, CIRCULATION, AND DISTRIBUTION IN PART OR AS A WHOLE WITHOUT THE WRITTEN CONSENT OF BLUE WATER DESALINATION LLC IS STRICTLY PROHIBITED.

MATERIAL:
 FINISH:
 DO NOT SCALE DRAWING

TOLERANCES
 UNLESS OTHERWISE SPECIFIED:

DIMENSIONS ARE IN INCHES AND MILLIMETER
FRACTIONAL: ± 1/16" ± 1.5mm
ANGULAR: ± 1 DEG ± 2.5mm
X ± .001" ± 0.50mm
XXX ± .005" ± 0.127mm

APPROVALS	DATE
DRAWN	
CHECK	
MFG	
QUAL	
CHIEF	

Blue Water DESALINATION
 1930 E. CARSON ST. SUITE 103
 CARSON, CA. 90810
 TEL: 1 (855) 55 DESAL
 FAX: 1 (310) 684 - 1474
 www.BlueWaterDesalination.com

TITLE: **MEM, ASSY, 950-2**

SIZE D	DRAWING NUMBER FL1522	REV B
SCALE:	WEIGHT:	SHEET 2 OF 2