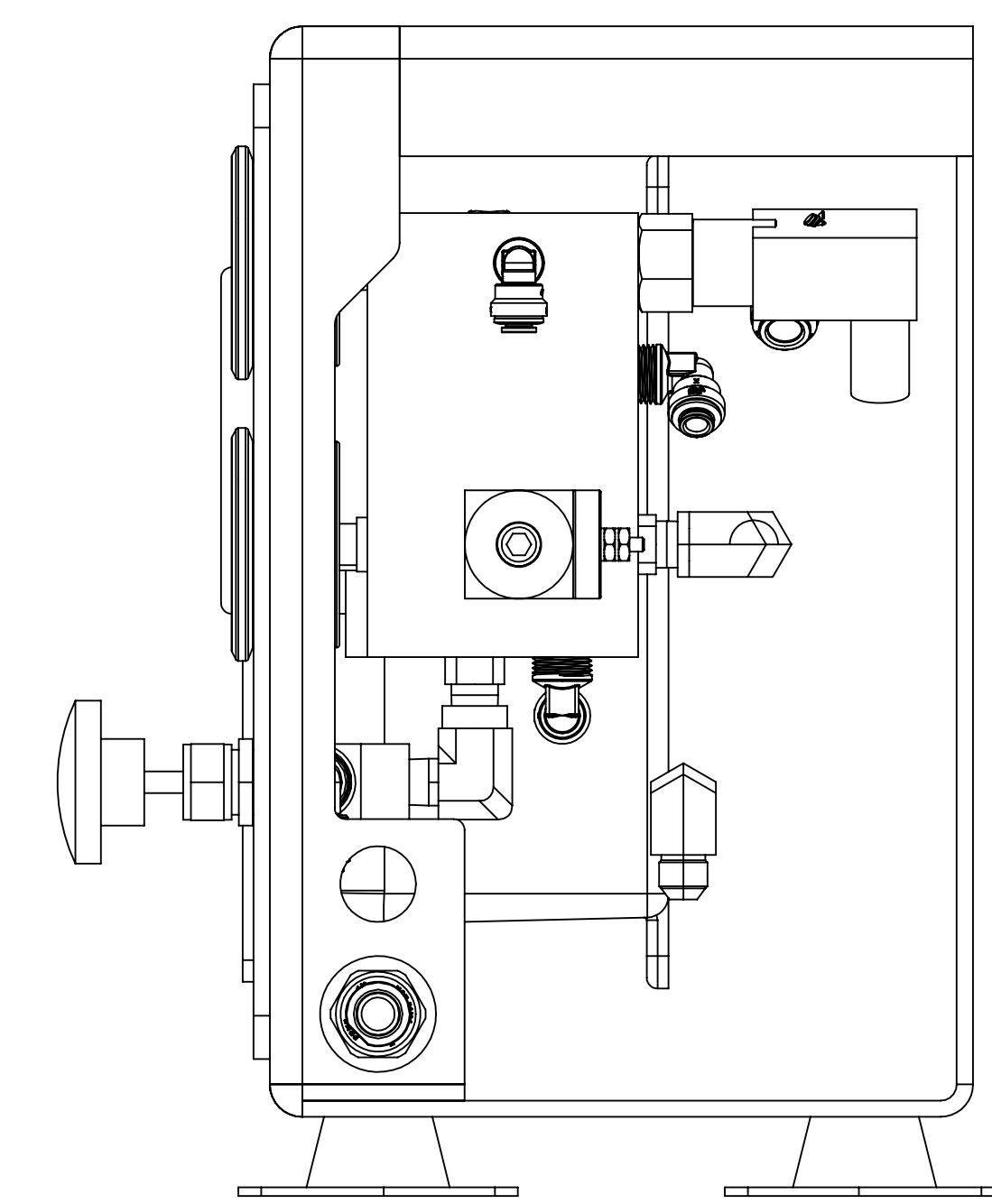
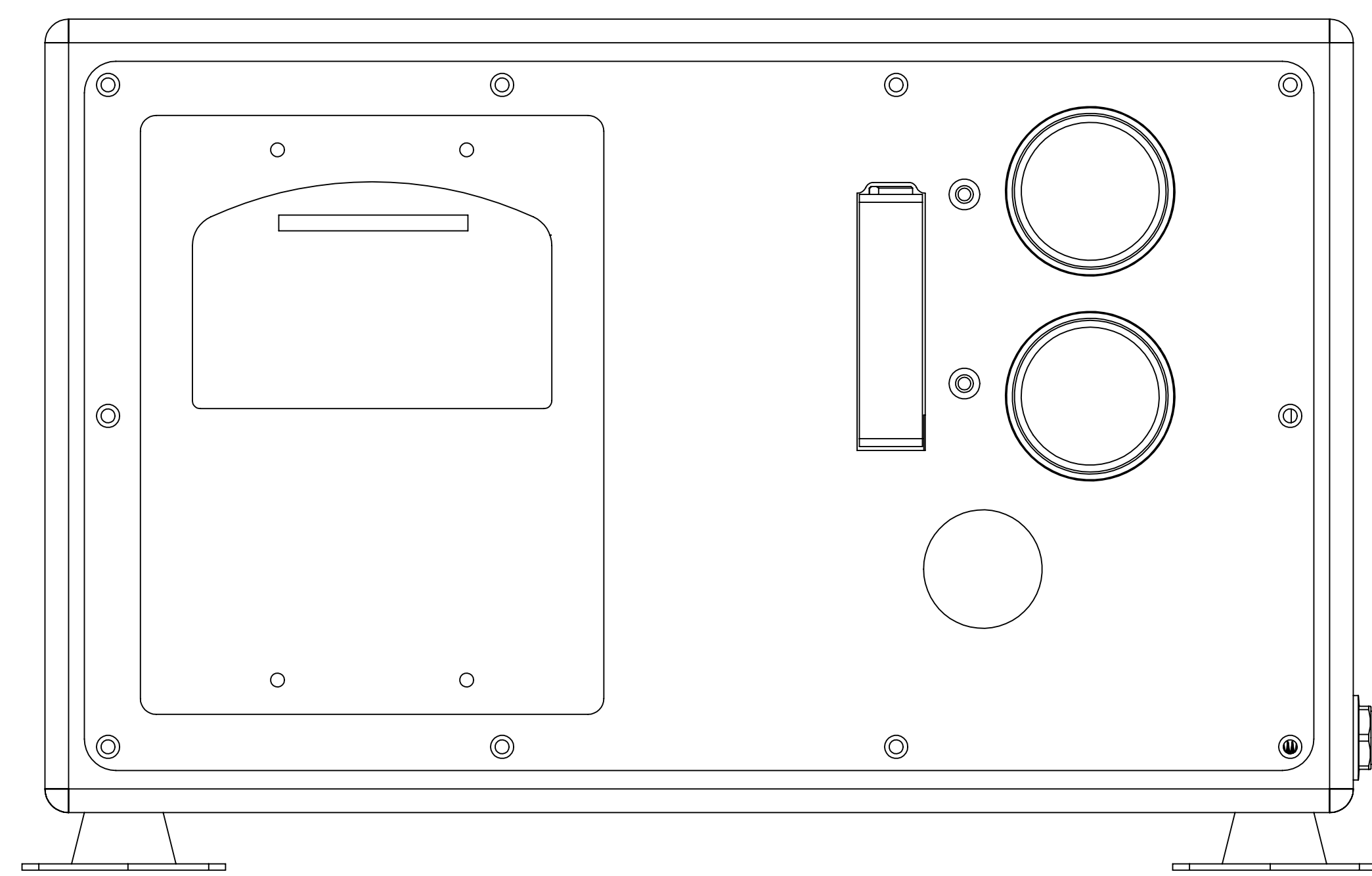
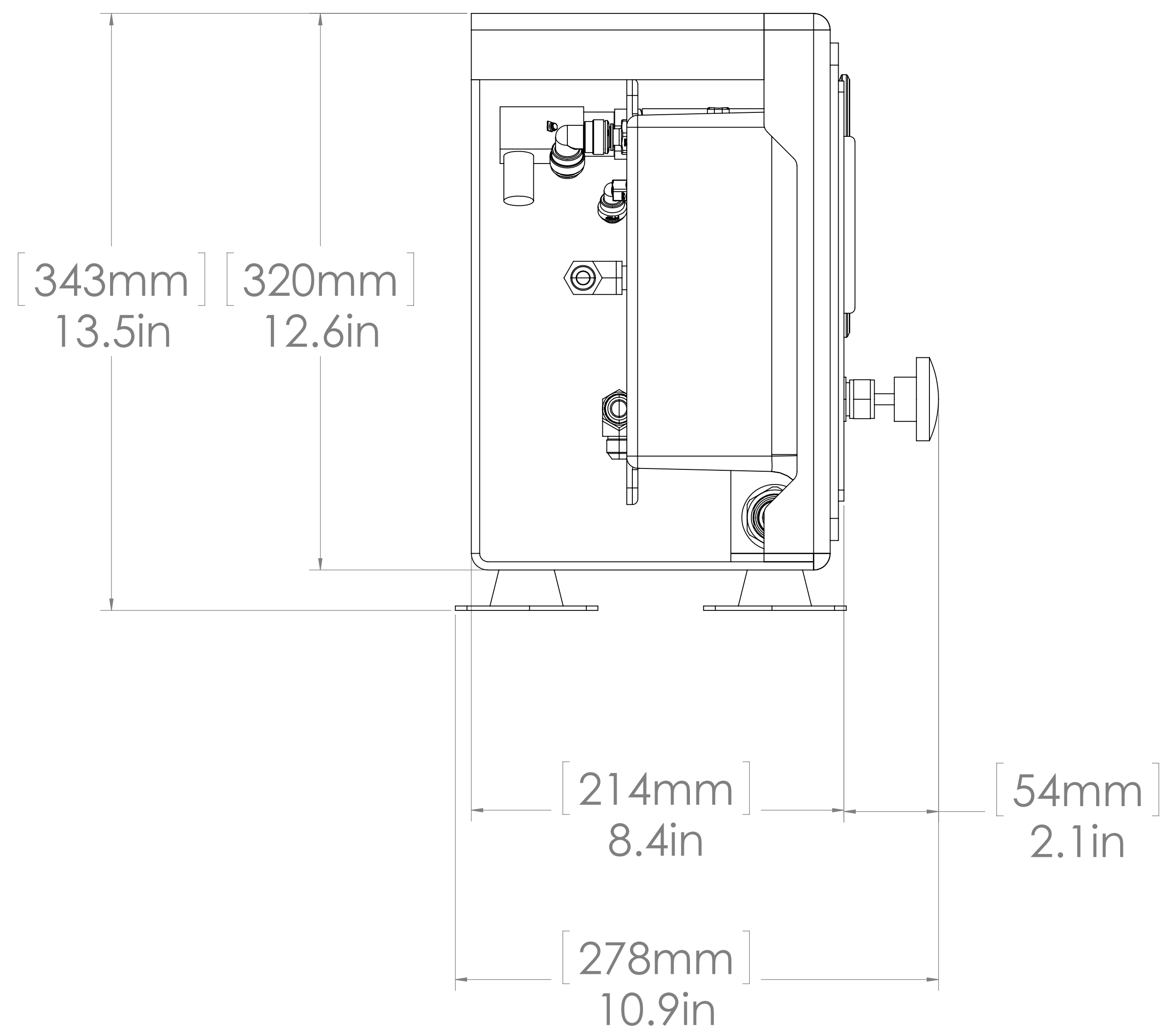
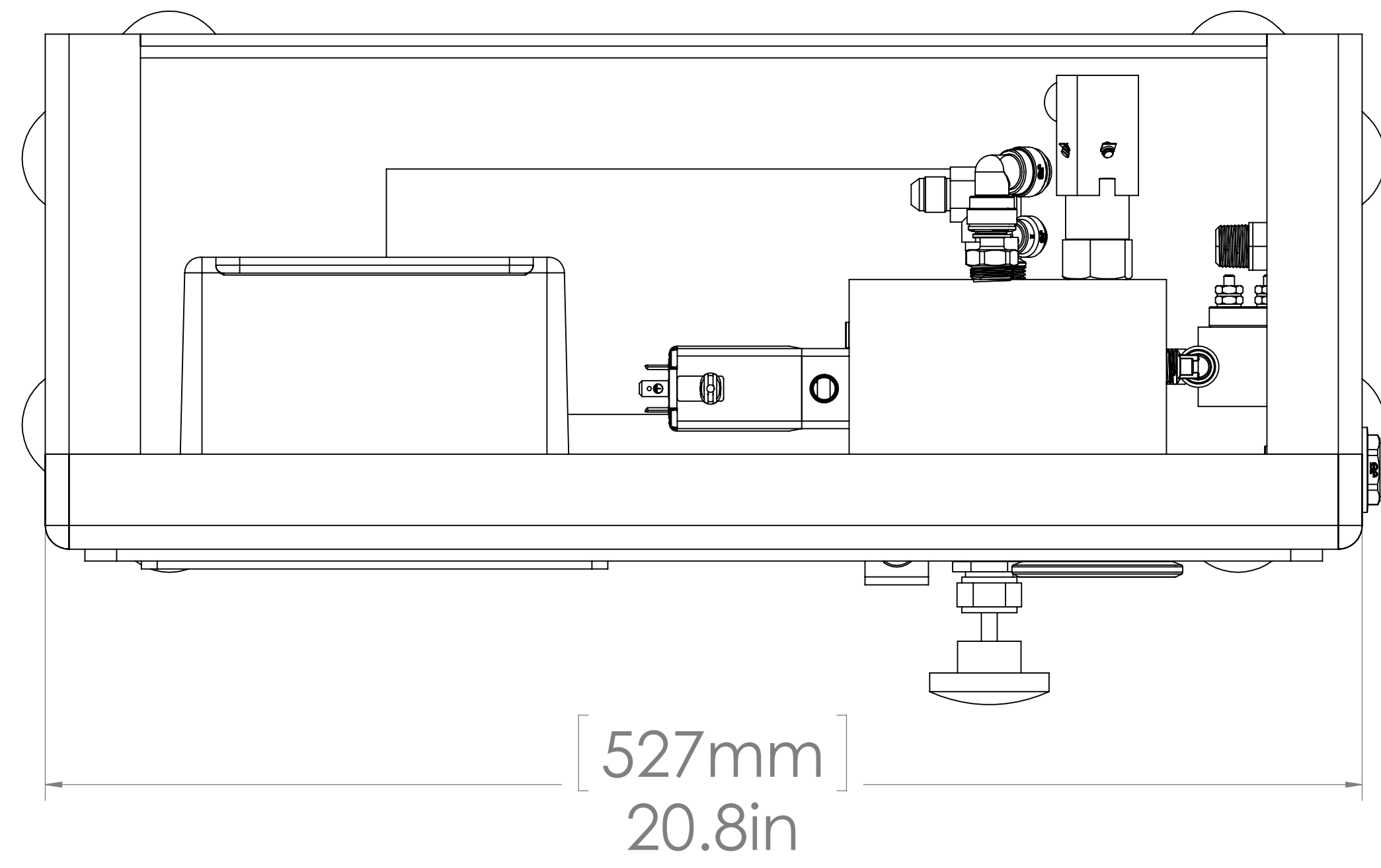


REVISIONS				
ZONE	REV.	DESCRIPTION	DATE	APPROVED



**NOTICE OF CONFIDENTIALITY**  
UNLESS OTHERWISE SPECIFIED, THE INFORMATION CONTAINED IN THIS DRAWING IS THE SOLE PROPERTY OF BLUE WATER DESALINATION LLC. ANY REPRODUCTION, CIRCULATION, AND DISTRIBUTION IN PART OR AS A WHOLE WITHOUT THE WRITTEN CONSENT OF BLUE WATER DESALINATION LLC IS STRICTLY PROHIBITED.

**Blue Water DESALINATION**  
1992 S. CAROLINA DRIVE 100  
COLUMBIA, SC 29201  
TEL: (803) 246-1474  
WWW.BLUEWATERDESALINATION.COM

**EXS1M - MODULAR UNIT ASSY**

DESIGNED BY: JEFFREY HAY	DATE: 11/11/2014
DRAWN BY: JEFFREY HAY	DATE: 11/11/2014
CHECKED BY: JEFFREY HAY	DATE: 11/11/2014
APPROVED BY: JEFFREY HAY	DATE: 11/11/2014

MATERIAL: VARIOUS  
FINISH: POWDER COAT  
DO NOT SCALE DRAWING

SCALE: 1:1 | WEIGHT: 30 LBS | SHEET 1 OF 1

DRAWING NUMBER: EXS1M | REV: NR