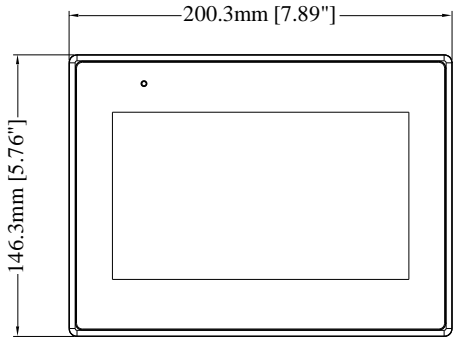
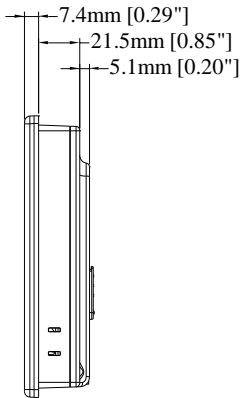


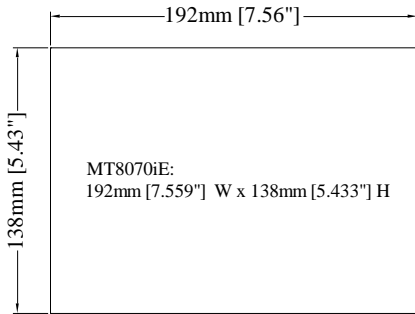
*Top View*



*Front View*



*Side View*



*Cutout Dimensions*