

LEGEND

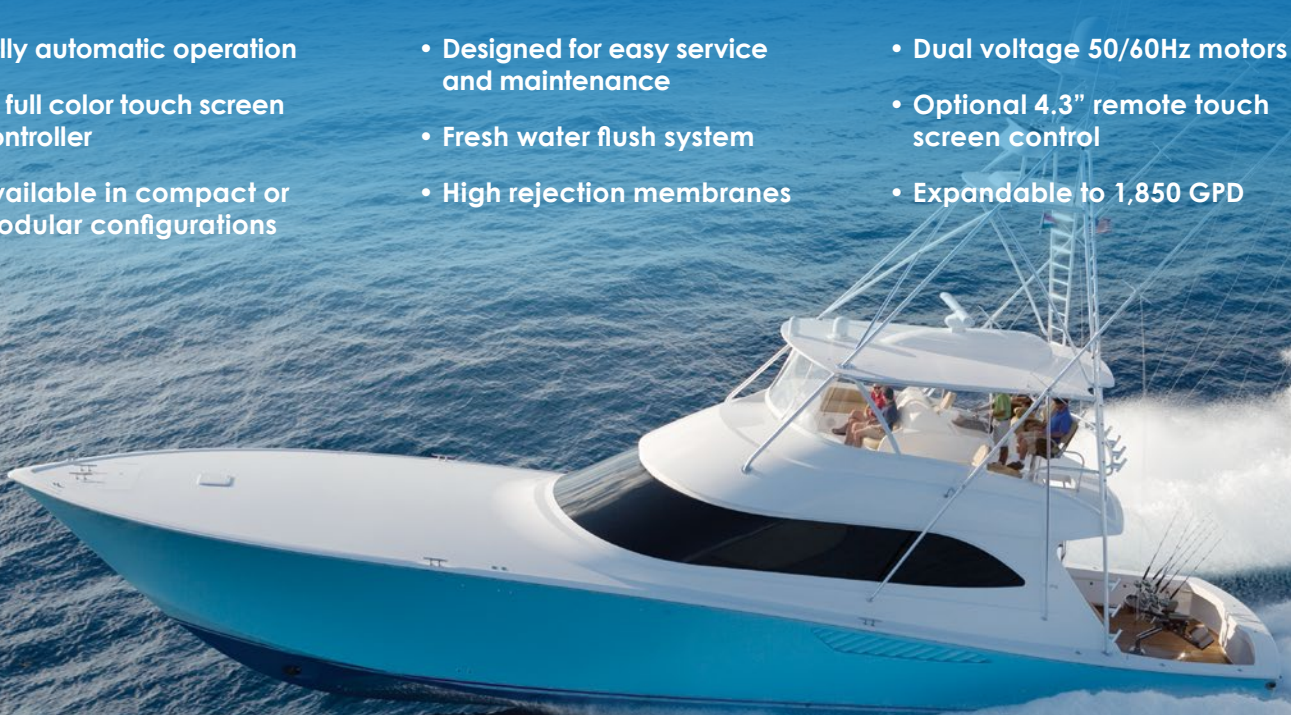
FROM 475 TO 1,850 GPD OF PURE WATER

PURE WATER FOR MID
TO LARGE-SIZED YACHTS



The Blue Water Legend series uses leading edge technology to provide fully automatic operation up to 1,850 gallons per day. Troubleshooting and maintenance are simplified through the use of a 7" intuitive touch screen controller. The Legend series is one of the most sophisticated and easy to use watermakers on the market.

- Fully automatic operation
- 7" full color touch screen controller
- Available in compact or modular configurations
- Designed for easy service and maintenance
- Fresh water flush system
- High rejection membranes
- Dual voltage 50/60Hz motors
- Optional 4.3" remote touch screen control
- Expandable to 1,850 GPD



THE NEXT EVOLUTION IN
WATERMAKER DESIGN

FULL LINE OF WATERMAKERS
FROM 200 TO 3,400 GPD

WORLDWIDE SALES, PARTS
AND EXPERT SERVICE



BLUEWATERDESALINATION.COM

Toll Free: 1 (855) 553-3725 • Tel: 1 (310) 684-1467

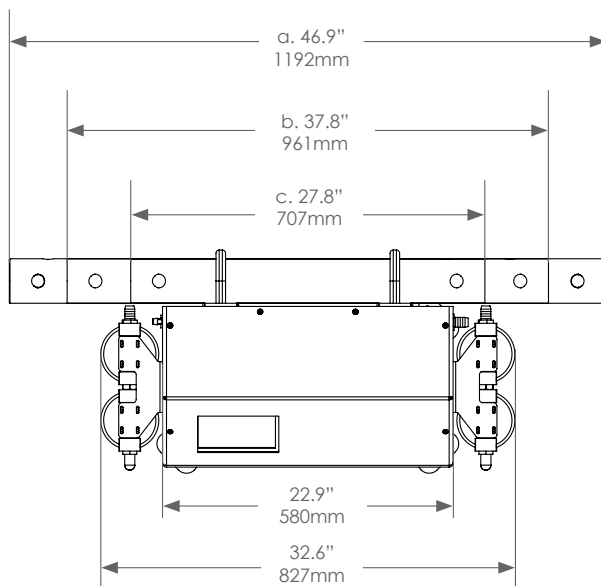
LEGEND

FROM 475 TO 1,850 GPD OF PURE WATER

DRAWINGS & SPECIFICATIONS

Model	No. of Membranes	Hourly Production	Daily Production	Feed Flow	Weight
LGD 475	1	20 GPH 75 LPH	475 GPD 1,800 LPD	4.2 GPM	165 lbs 75kg
LGD 750	1	31 GPH 118 LPH	750 GPD 2,840 LPD	4.2 GPM	175 lbs 79kg
LGD 950-1	1	40 GPH 150 LPH	950 GPD 3,600 LPD	4.2 GPM	185 lbs 84kg
LGD 950-2	2	40 GPH 150 LPH	950 GPD 3,600 LPD	4.2 GPM	200 lbs 91kg
LGD 1200	2	50 GPH 189 LPH	1,200 GPD 4,540 LPD	4.2 GPM	215 lbs 98kg
LGD 1500	2	63 GPH 237 LPH	1,500 GPD 5,680 LPD	4.2 GPM	215 lbs 98kg
LGD 1850	2	77 GPH 292 LPH	1,850 GPD 7,000 LPD	4.2 GPM	230 lbs 104kg

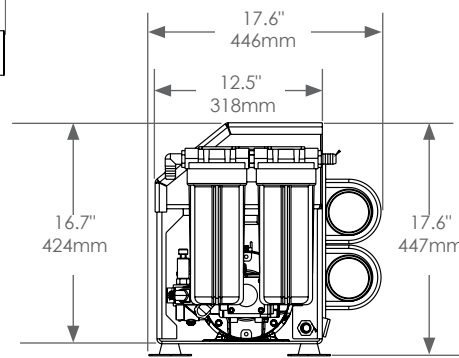
Model Phase	Booster Pump	HP Pump	Hz	Voltage	Run Amps	Start Amps
Single	0.5 HP 0.37 KW	2.5 HP 1.8 KW	50 60	110 220	31 15.5	109 55
Three	0.5 HP 0.37 KW	3.0 HP 2.2 KW	50 60	208 230	10.6 8.9	37 36
Three	0.5 HP 0.37 KW	3.0 HP 2.2 KW	50 60	380 460	5.3 4.4	18 16



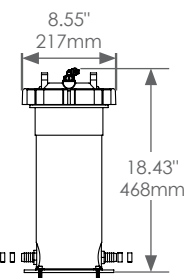
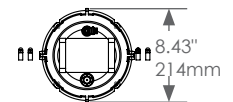
Top View

Vessel Assembly

a: 950-1 / 1850 GPD
b: 750 / 1200 / 1500 GPD
c: 475 / 950-2 GPD

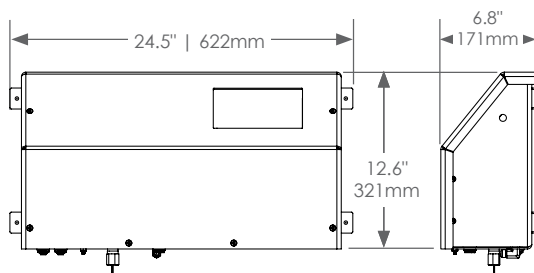


Side View

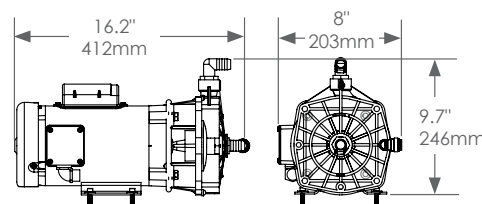


Optional

Commercial Pre-Filter /
OW Separator



Modular Controller



Booster Pump

ADDITIONAL DRAWINGS AVAILABLE AT: BLUEWATERDESALINATION.COM/WATERMAKERS/LEGEND